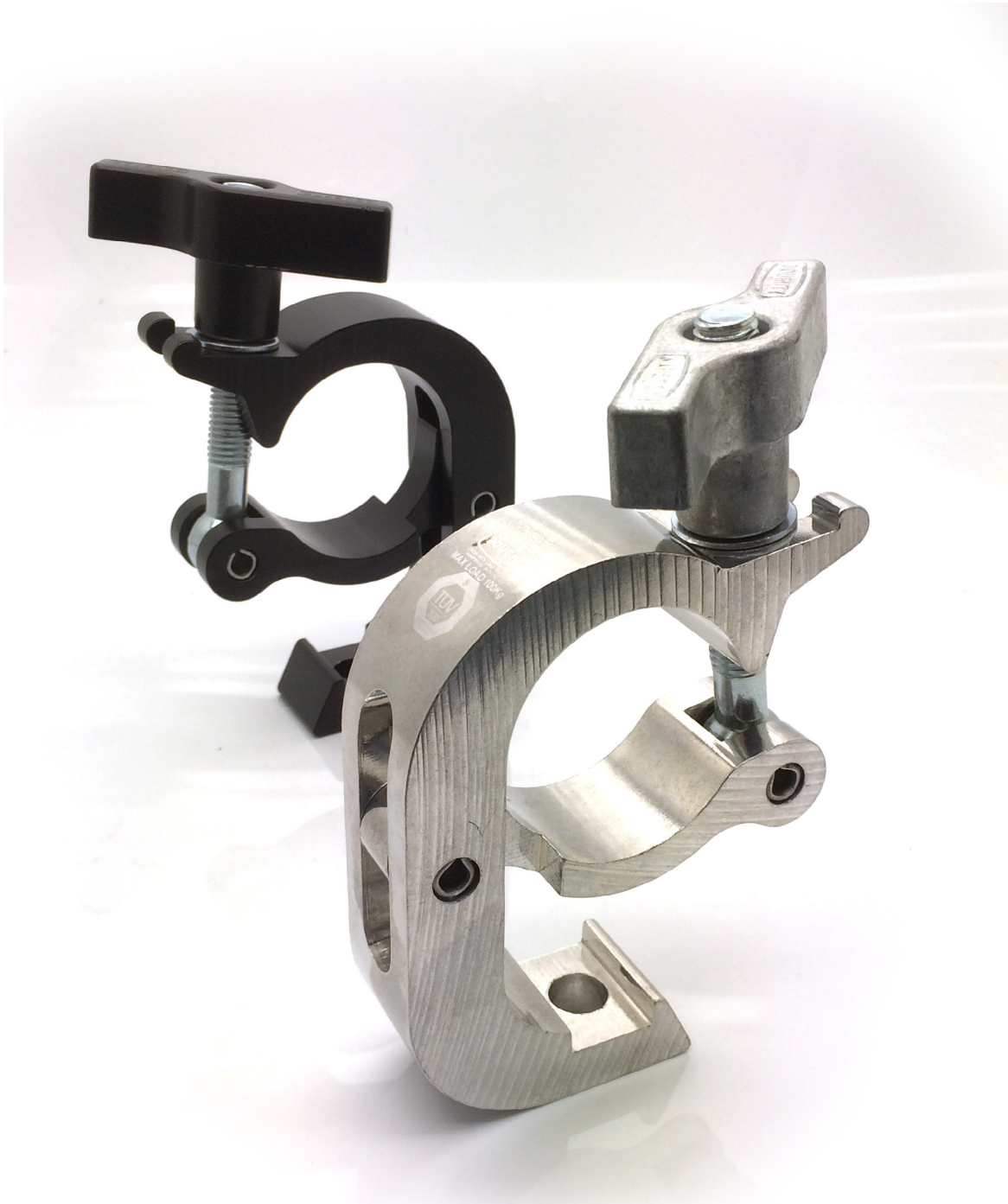




User Manual

www.doughty-engineering.co.uk

Trigger Clamps



Original Instructions

Revision 2 06/10/15

www.doughty-engineering.co.uk

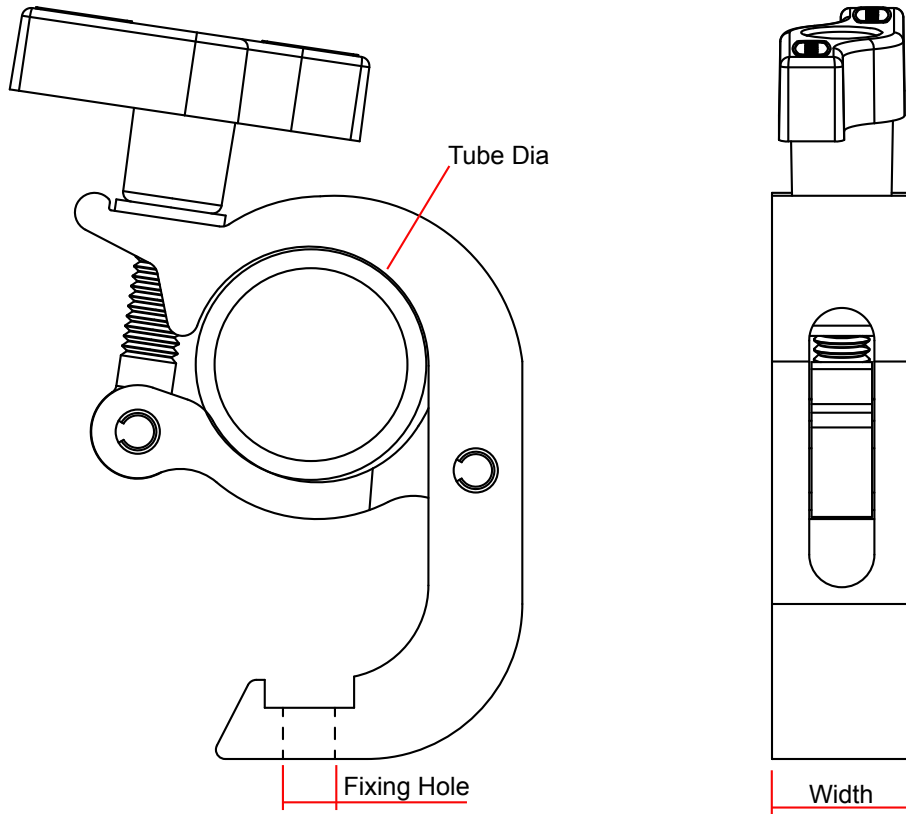
Introduction

The Trigger Clamp collection is a range of aluminium clamps designed specifically to attach to round tubes or truss chords and suspend equipment and luminaries in the theatre, film, TV and photographic industries.

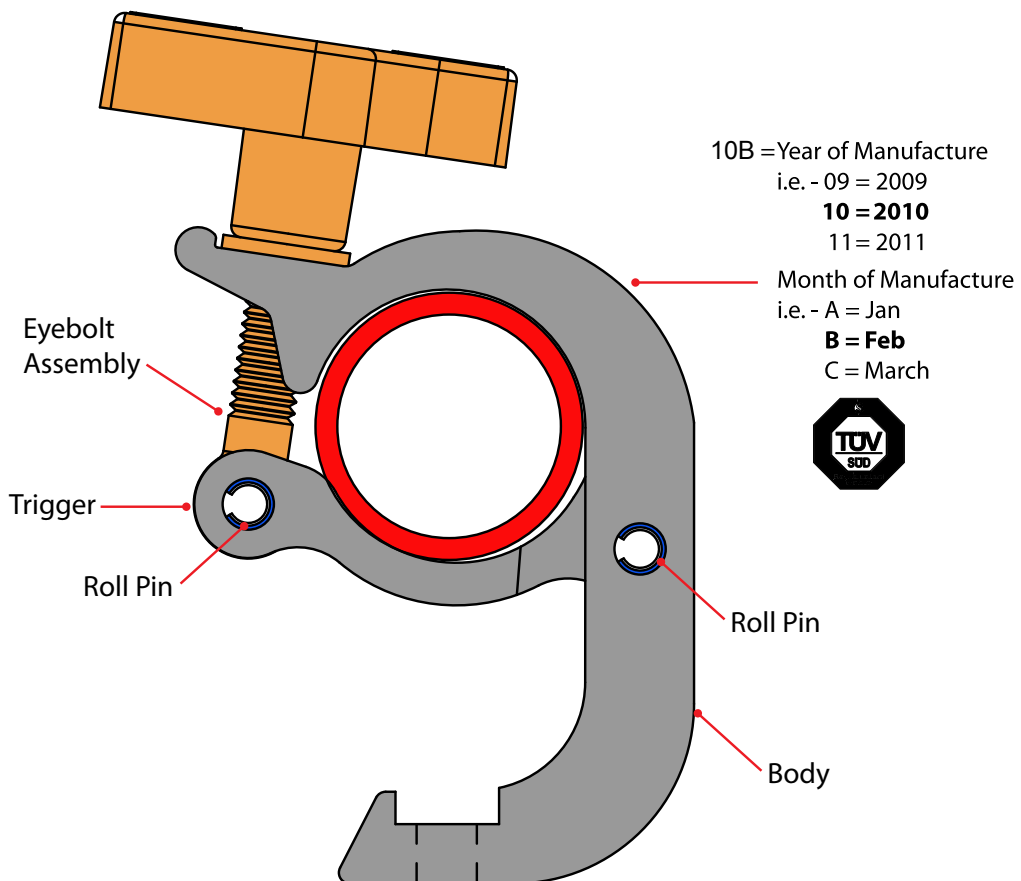
Trigger clamps are available in the following specifications:

Pt No	Tube Dia	Width	Max Load	Finish	Hole/Fixings Supplied	Weight
<i>Trigger Clamps</i>						
T58860	48-51mm	30mm	200Kg	Polished	Ø12mm	0.50Kg
T588601	48-51mm	30mm	200Kg	Black	Ø12mm	0.50Kg
T58861	48-51mm	30mm	200Kg	Polished	M12x45 Bolt / Wing Nut	0.58Kg
T5886101	48-51mm	30mm	200Kg	Black	M12x45 Bolt / Wing Nut	0.58Kg

The Trigger Clamp holds captive an M12 bolt head.



Typical Clamp Example



Operation

Doughty Trigger clamps must only be installed/used by qualified/competent personnel.

All clamps should be visually inspected before each use. In the event of any damage the clamp/coupler should be taken out of service and returned to an 'Approved Doughty Service Agent' for inspection. (See our Dealer Locator on our web site for a comprehensive list of Authorised Service Agents).

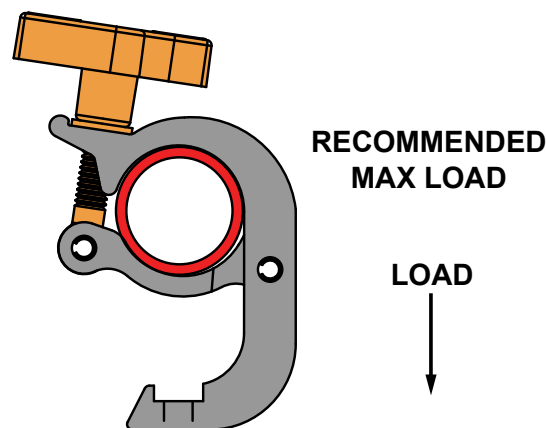
When installing Doughty clamps they should be tightened by hand only. Over tightening may result in the tube/truss being damaged or the coupler being damaged.

When installing/using Doughty clamps you must wear appropriate personal protection equipment suitable for the environment you are working in.

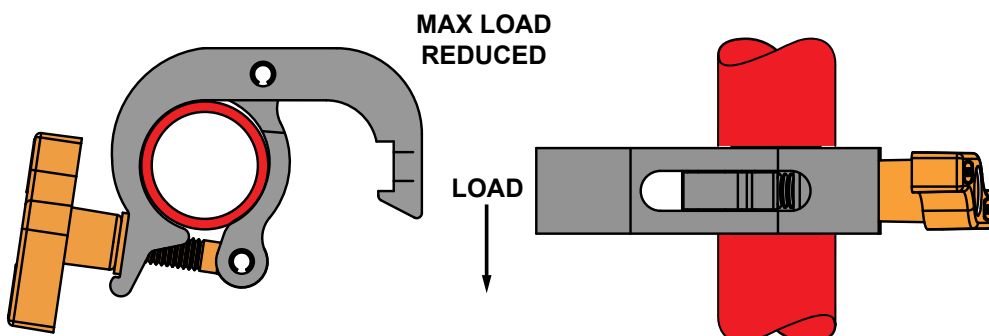
Never exceed the Max Load as indicated on the clamp and in this Manual or Max Load as instructed by your installer, as the installation conditions may alter the Max Load that can be applied to the clamp.

When used in conjunction with any other accessories, care must be taken to ensure the Max Load of any component is not exceeded.

IMPORTANT - ALWAYS USE A SECONDARY SAFETY



THE FOLLOWING APPLICATIONS WILL RESULT IN THE RECOMMENDED MAX LOAD BEING REDUCED DEPENDANT ON THE TUBE SURFACE FINISH & TIGHTENING TORQUE APPLIED. PROOF LOADING ON INSTALLATIONS IS RECOMMENDED.



Maintenance

- Maintenance must only be carried out by approved personnel.
- Approved personnel must make regular checks of the product.
- If you see any damage including cracks, deformation or missing parts, the product must be removed from service and returned to an Approved Service Agent for evaluation/repair.
- A full list of Approved Service Agents can be found on our website - www.doughty-engineering.co.uk
- Approved personnel must carry out a visual and a function test before every usage.
- Approved personnel must carry out more detailed inspection and testing of the product on a regular basis depending on the usage of the product.
- Written records should be kept from the date the product is put into operation.



Warning

- The installer/operator must read and understand the Instruction Manual before using the equipment.
- Operators must be adequately instructed and fully understand the safe use of the equipment before use.
- Failure to carry out maintenance as necessary, including the replacement of parts to the correct standard, could render this equipment unsafe and the manufacturer cannot accept any responsibility in this respect.

Do's and Don'ts

Do ensure the clamp/coupler is only used by a competent person

Do ensure the clamp/coupler is kept in a clean operational condition

Do check the condition of the clamp/coupler regularly

Do use an Authorised Service Agent only for maintenance and repair

Do use a secondary safety

Do Not lift loads which exceed the Max Load of the weakest component in the assembly

Do Not attempt to lift loads which are greater than the Max Load of the clamp/coupler

Do Not lift people

Do Not lift loads above people

Do Not lift loads with any personnel in the lifting zone



Doughty Engineering Ltd

Crow Arch Lane

Ringwood, Hampshire, BH24 1NZ

Tel: +44 (0) 1425 478961 Fax: +44 (0) 1425 474481

email: sales@doughty-engineering.co.uk

Web: www.doughty-engineering.co.uk

Note: Whilst every effort has been made to ensure that the information contained within this manual is correct, Doughty Engineering does not accept any liability for errors or omissions. Specifications and technical data are intended for guidance purposes only and may vary.